

Gas Griddle



Model: EGG-48SX



STANDARD FEATURES

- U-shape steel burner, each 7.5kW/hr
- To be controlled every 12" width
- 4" stainless steel adjustable heavy duty legs
- Zinc alloy knob with chrome coating
- Large oil collector at the bottom
- Easy conversion from natural gas to Propane or vice versa
- Stainless steel in the front, and galvanized sides and back
- 3/4" NPT rear gas connection
- Thermocouple and safety valves installed for double safety
- Available in 24", 36" and 48" size
- 20mm thickness griddle plate
- Manual control
- One year limited parts and labor warranty

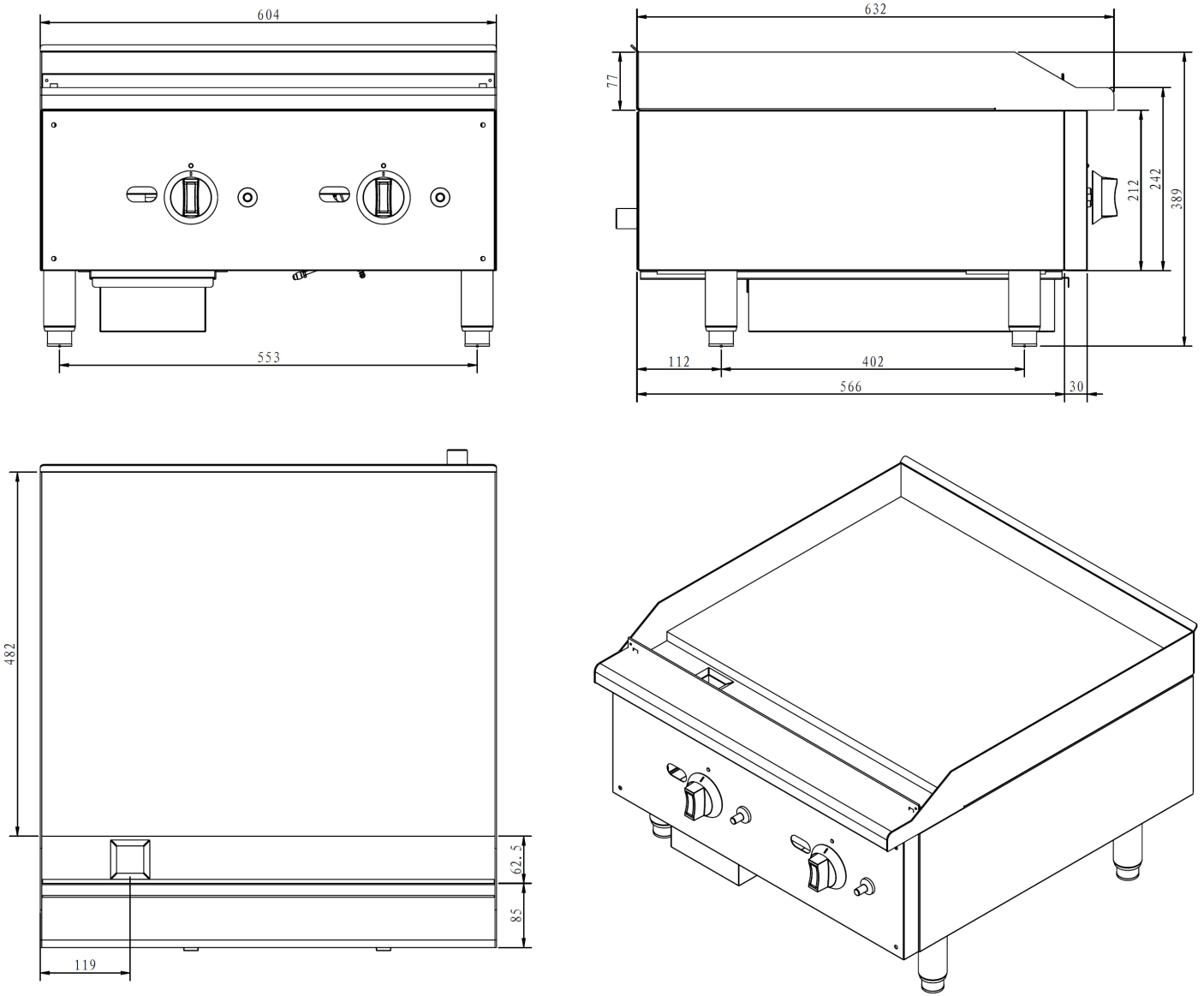
INSTALLATION INSTRUCTIONS

1. A gas pressure regulator must be installed.
2. An adequate ventilation system is required for commercial cooking equipment.
3. This appliance is intended for commercial installation only and is not intended for home use.
4. Equipment clearance requirement:

	Non-Combustibles	Combustibles
Sides	0"	4"
Back	0"	4"
5. All the installation must be performed by qualified technicians.
6. It is not suggested to convert to another type of gas in field. Please specify gas type when ordering.

Gas Griddle

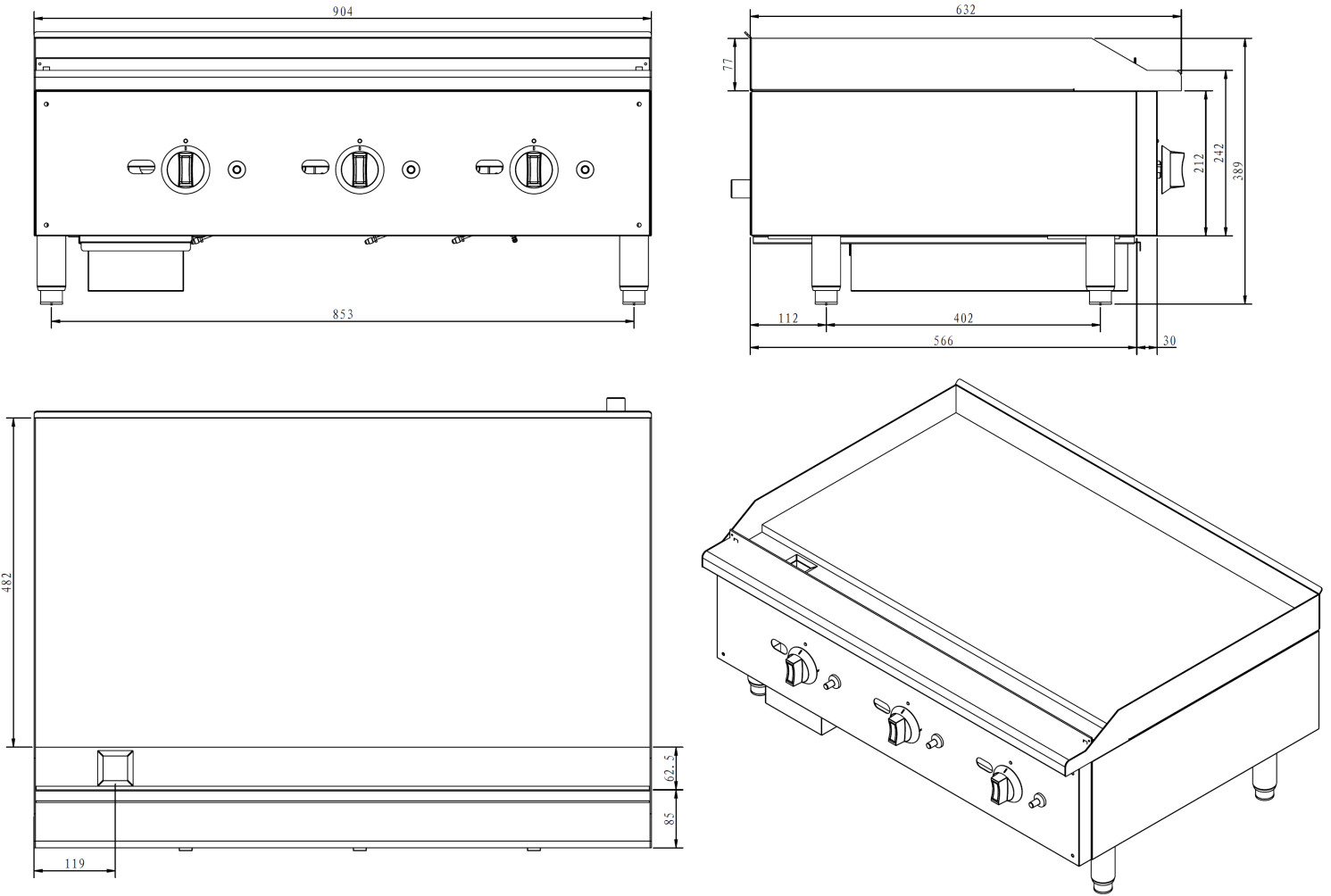
INSTALLATION DRAWING



Model	Description	Gas Type	Total kW/HR	Packing Size(mm)	N/W (KG)	G/W (KG)
EGG-24SX	Gas 24" griddle (2 burners)	G20,G25,G25.3	15	760 x 780 x 500	52	65
		G30,G31	12			

Gas Griddle

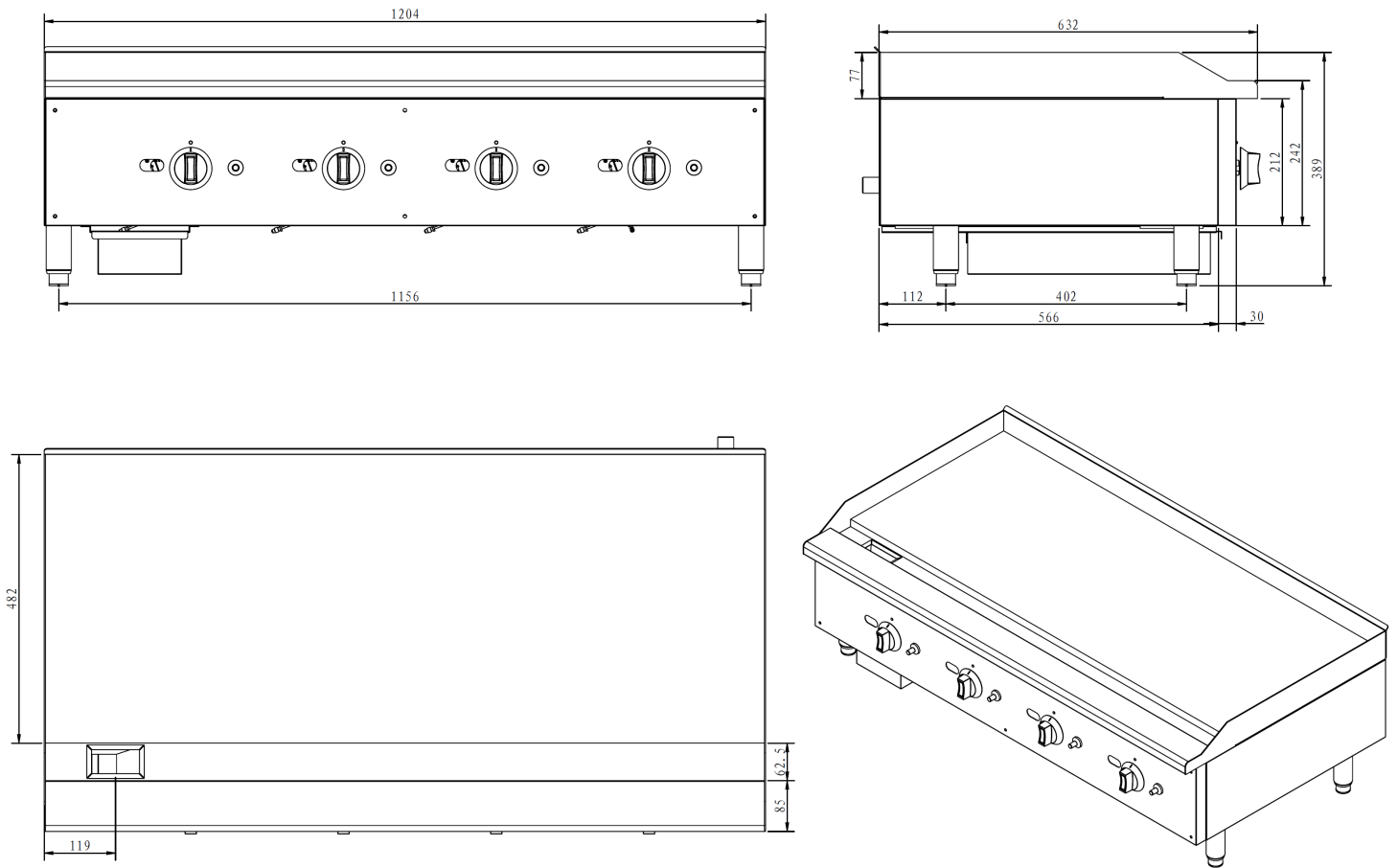
INSTALLATION DRAWING



Model	Description	Gas Type	Total kW/HR	Packing Size(mm)	N/W (KG)	G/W (KG)
EGG-36SX	Gas 36" griddle (3 burners)	G20,G25,G25.3	22.5	980 x 780 x 500	80	95
		G30,G31	18			

Gas Griddle

INSTALLATION DRAWING



Model	Description	Gas Type	Total kW/HR	Packing Size(mm)	N/W (KG)	G/W (KG)
EGG-48SX	Gas 48" griddle (4 burners)	G20,G25,G25.3	30	1280 x 780 x 500	135	170
		G30,G31	24			