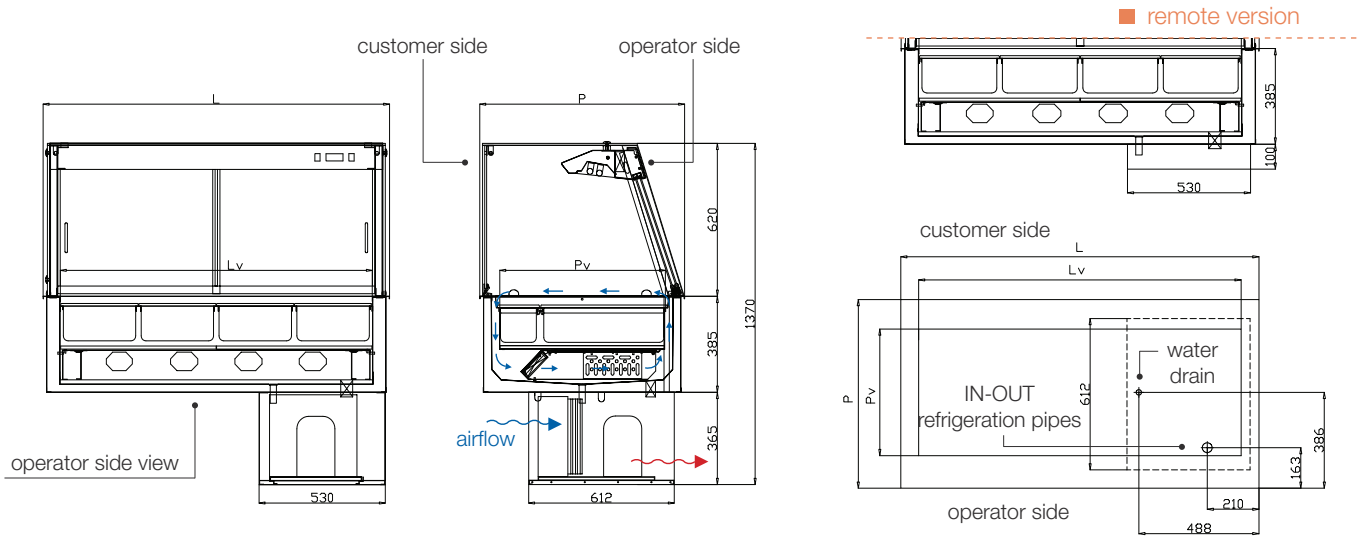


# Refrigerated and ventilated display case on tank - squared

- ▶ Stainless steel top AISI 304, th. 12/10
- ▶ Refrigerated laminar airflow in the tank
- ▶ Stainless steel height-adjustable blind bottoms (useful height 30-150 mm)
- ▶ Evaporator with anti-corrosion coating, which can be lifted to easily clean the well
- ▶ Condensed water drain on bottom (evaporation kit on request)
- ▶ Insulation by high density expanded polyurethane without C.F.C. and H.C.F.C.
- ▶ With condensing unit or pre-set for remote refrigeration
- ▶ Digital control system for temperature adjustment and defrosting
- ▶ Sliding doors on operator side to easily refill the display
- ▶ LED lighting on the ceiling



	3 GN1/1	4 GN1/1	5 GN1/1
External dimensions [mm] <b>LxP</b>	1125x860	1455x860	1780x860
Well dimensions [mm] <b>LvxPvxHv</b>	980x690x30/150	1310x690x30/150	1630x690x30/150
Capacity GN 1/1 containers	3 GN1/1+1/3	4 GN1/1+1/3	5 GN1/1+1/3
Temperature [C°] closed	-1/+5*	-1/+5*	-1/+5*
Temperature [C°] w/curtain	-1/+7**	-1/+7**	-1/+7**
Refrigerant gas	R452A	R452A	R452A
Cooling power at -10°C [W]	980	1150	1650
Total power [Kw]	0,9	1,1	1,2
Supply voltage (50Hz)	230V 1F+N	230V 1F+N	230V 1F+N
Diameter inlet gas pipe [mm]	6	6	10
Diameter outlet gas pipe [mm]	10	10	12