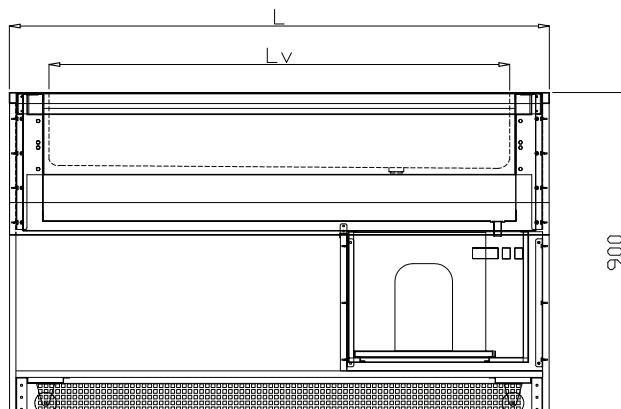
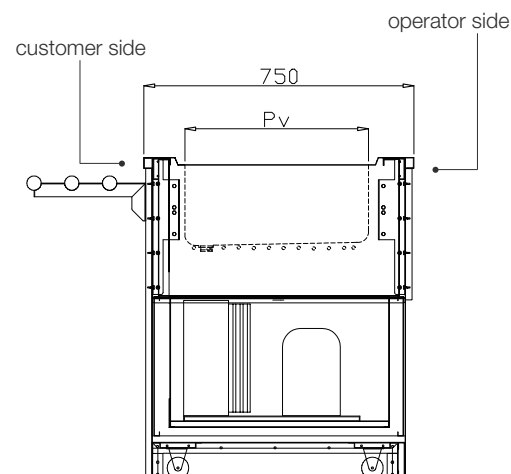


Static refrigerated tank

- ▶ Stainless steel top H 30 mm in AISI 304, th. 12/10 with straight edges
- ▶ Welded and rounded tank for an easy cleaning
- ▶ Tank for GN containers with maximum height of 200 mm
- ▶ Contact cooling refrigeration through contact coils under the tank
- ▶ Insulation by high density expanded polyurethane without C.F.C. and H.C.F.C.
- ▶ With condensing unit or pre-set for remote refrigeration
- ▶ Automatic condensed water evaporation
- ▶ Digital control system for temperature adjustment and defrosting
- ▶ Counter in laminated wood, on wheels



operator side view



	2 GN1/1	3 GN1/1	4 GN1/1	5 GN1/1	6 GN1/1
External dimensions [mm] LxPxH	845x750x900	1170x750x900	1500x750x900	1825x750x900	2150x750x900
Well dimensions [mm] LvxPvxHv	630x510x210	960x510x210	1280x510x210	1605x510x210	1930x510x210
Capacity GN 1/1 containers	2 GN1/1	3 GN1/1	4 GN1/1	5 GN1/1	6 GN1/1
Well temperature [°C]	+4/+10	+4/+10	+4/+10	+4/+10	+4/+10
Refrigerant gas	R452A	R452A	R452A	R452A	R452A
Cooling power at -30°C [W]	320	320	320	450	450
Total power [Kw]	0,5	0,5	0,5	0,6	0,6
Supply voltage (50Hz)	230V 1F+N	230V 1F+N	230V 1F+N	230V 1F+N	230V 1F+N