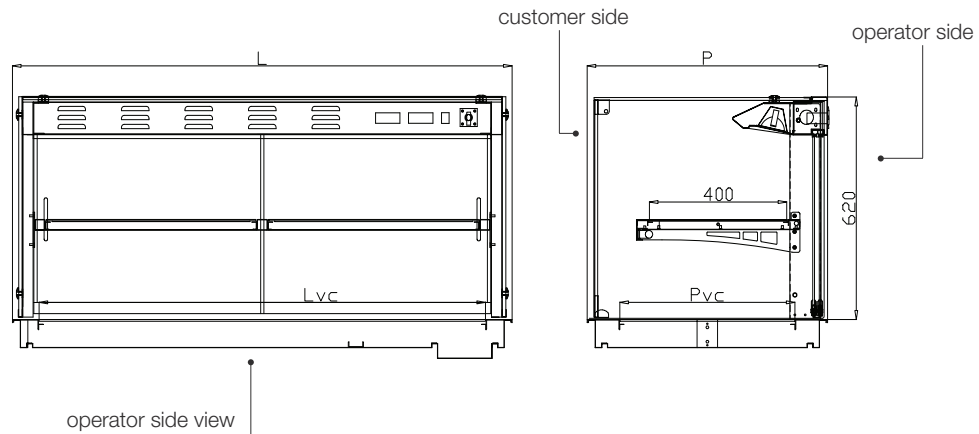


# Display case with glass-ceramic top and shelves - squared

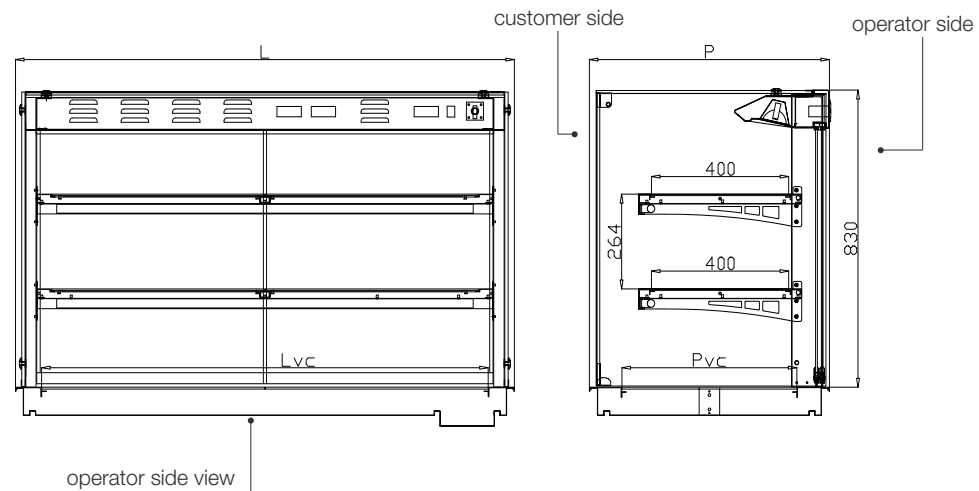
- ▶ Stainless steel top AISI 304, th. 12/10
- ▶ Flush-mounted ceran hotplate with the stainless steel top for a better cleaning
- ▶ Wire heating elements in the whole surface for a better heating efficiency
- ▶ Glass-ceramic heating shelves
- ▶ Halogen lamps
- ▶ Each glass-ceramic hot plate is controlled independently through a programmable digital thermostat



**One glass-ceramic shelf**



**Two glass-ceramic shelves**



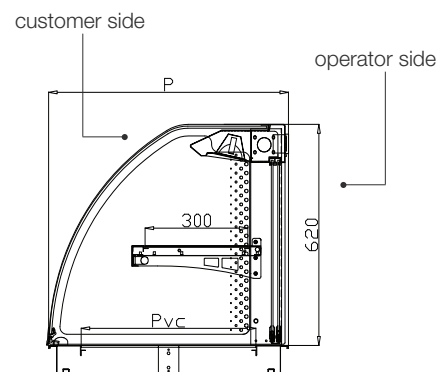
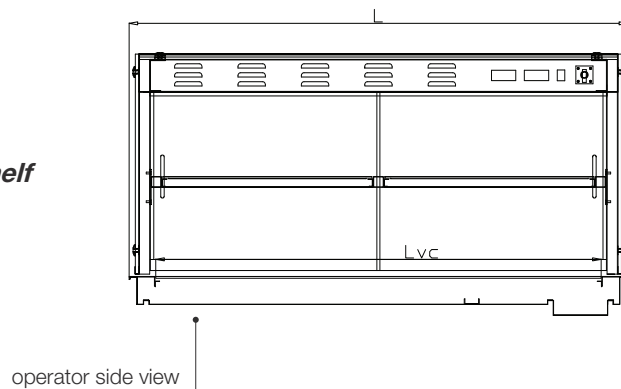
	<b>2 GN1/1</b>	<b>3 GN1/1</b>	<b>4 GN1/1</b>	<b>5 GN1/1</b>
External dimensions [mm] <b>LxP</b>	800x700	1125x700	1455x700	1780x700
Top dimensions [mm] <b>LvcxPvc</b>	650x510	960x510	1300x510	1610x510
Total power [Kw] display case 1 shelf	2,1	2,7	4	5,1
Total power [Kw] display case 2 shelves	3	4,1	5,2	6,5
Max. temperature [C°]	+120	+120	+120	+120
Supply voltage (50Hz)	230V 1F+N	230V 1F+N	400V 3F+N	400V 3F+N

# Display case with glass-ceramic top and shelves - curved

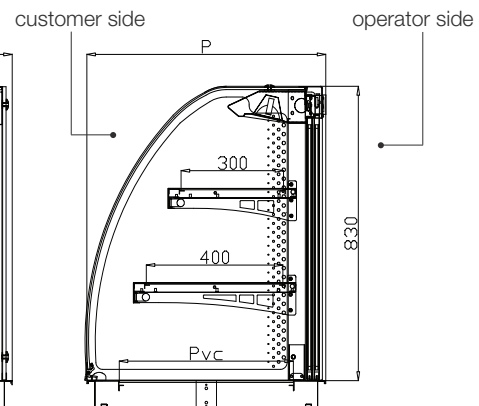
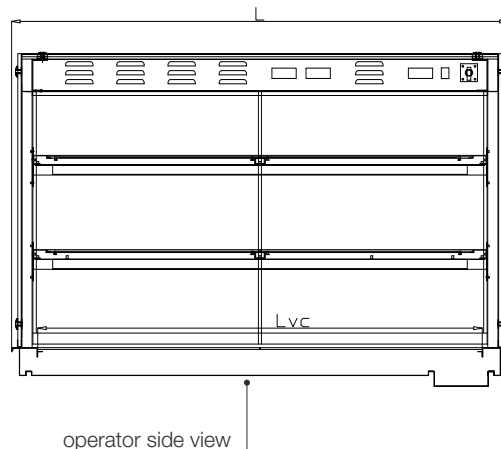
- ▶ Stainless steel top AISI 304, th. 12/10
- ▶ Flush-mounted ceran hotplate with the stainless steel top for a better cleaning
- ▶ Wire heating elements in the whole surface for a better heating efficiency
- ▶ Glass-ceramic heating shelves
- ▶ Halogen lamps
- ▶ Each glass-ceramic hot plate is controlled independently through a programmable digital thermostat



**One glass-ceramic shelf**



**Two glass-ceramic shelves**



	<b>2 GN1/1</b>	<b>3 GN1/1</b>	<b>4 GN1/1</b>	<b>5 GN1/1</b>
External dimensions [mm] <b>LxP</b>	800x700	1125x700	1455x700	1780x700
Top dimensions [mm] <b>LvcxPvc</b>	650x510	960x510	1300x510	1610x510
Total power [Kw] display case 1 shelf	2,1	2,7	4	5,1
Total power [Kw] display case 2 shelves	3	4,1	5,2	6,5
Max. temperature [C°]	+120	+120	+120	+120
Supply voltage (50Hz)	230V 1F+N	230V 1F+N	400V 3F+N	400V 3F+N