



*CB 955A HC*

## LIST OF THE EXPLODED VIEWS



*SHELL ASSY CB 955A HC*

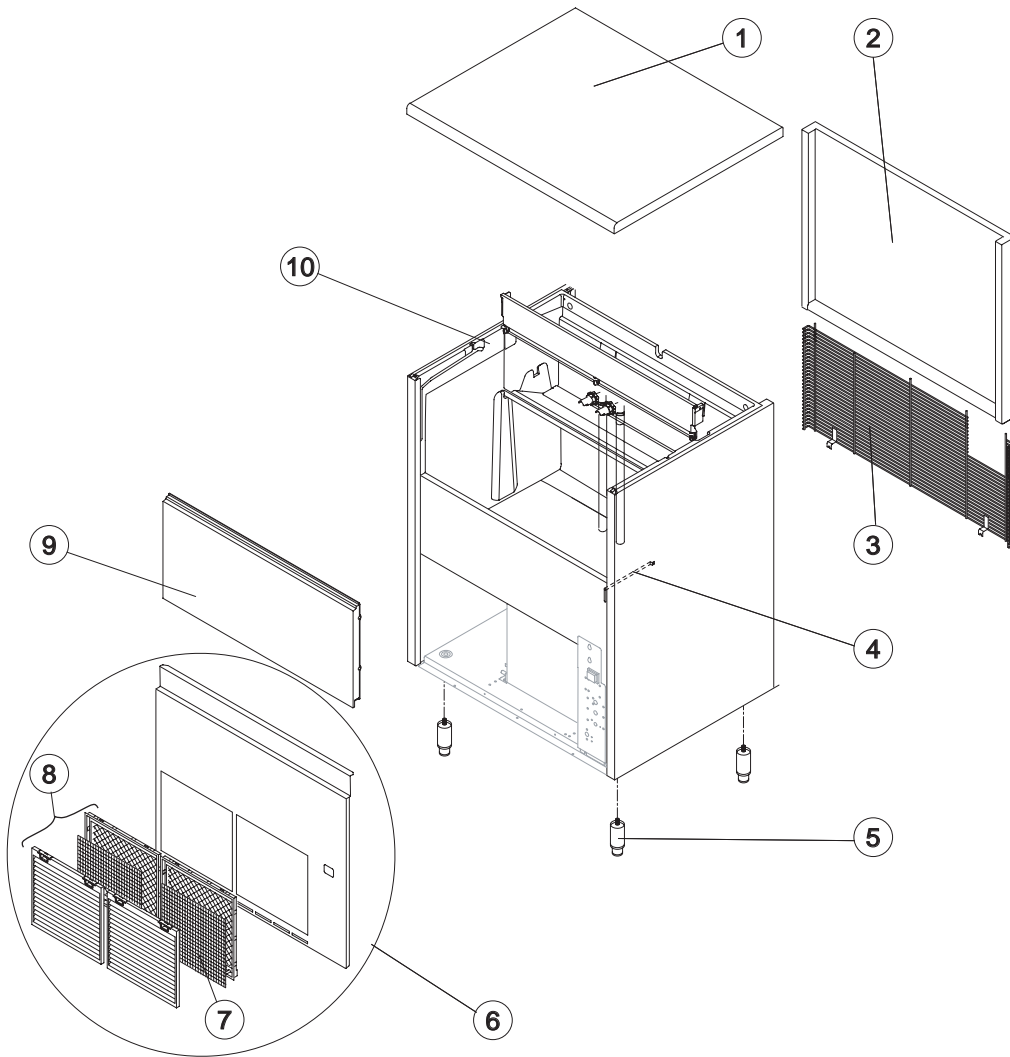
*SHELL ASSY CB 955A HC Drain Pump*

*COOLING SYSTEM*

*HYDRAULIC CIRCUIT CB 955A HC*

*HYDRAULIC CIRCUIT CB 955A HC Drain Pump*

*ELECTRIC PARTS*

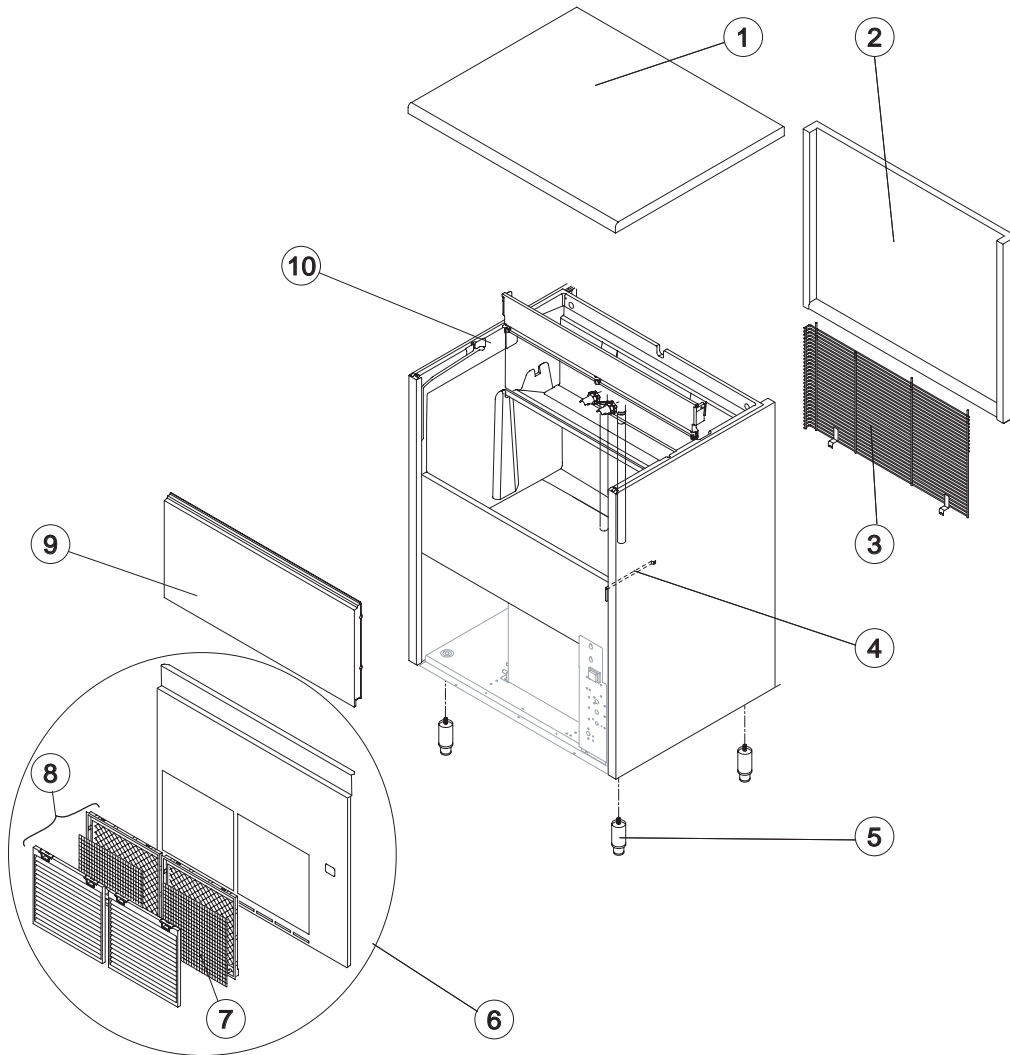


Ref.	Spare Description	Code
1	Top Assembly	C22673
2	Rear Panel Assembly	C21185
3	Rear Grid	D12015
4	Bulb-holder Pipe	20521
5	Adjustable Foot	20613
6	Front Grid Panel	C22510
7*	Filtering Panel	18106
8	Frame + Grid & Filter	C10205
9	Door Assembly	C10275
10	Foamed Cabinet Assy	See Table

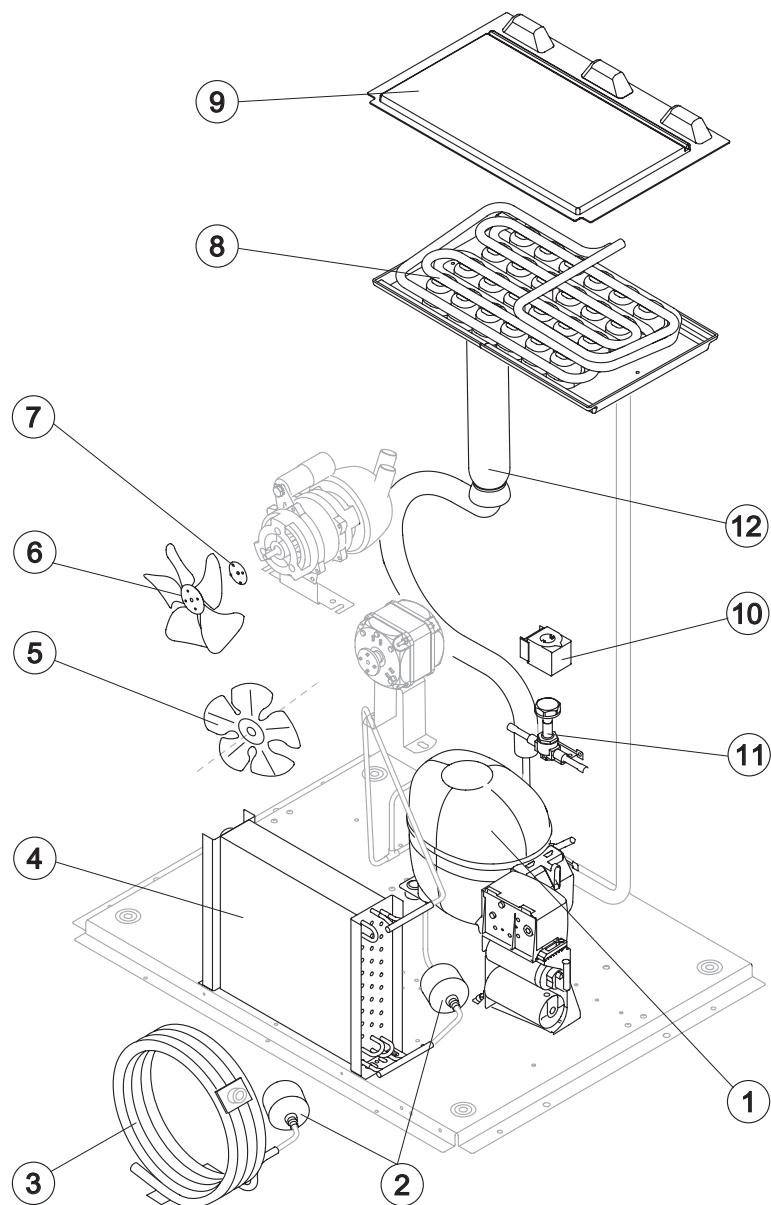
### Ref. 10 - Foamed Cabinet Assy

Condensation	Code
Air	C11040A
Water	C11040W

Rev. 02 - 12/03/2019



Ref.	Spare Description	Code
1	Top Assembly	C22673
2	Rear Panel Assembly	C21185
3	Rear Grid	D12102
4	ulb-holder Pipe	20521
5	Adjustable Foot	20613
6	Front Grid Panel	C22510
7*	Filtering Panel	18106
8	Frame + Grid & Filter	C10205
9	Door Assembly	C10275
10	Foamed Cabinet Assy	C11040DP



### Common Parts

Ref.	Spare Description	Code
1	Compressor	231196
2*	Molecular Drier	141003
6	Sucking Fan	10213
7	Hub for the Fan Fixing	10014
8	Evaporator	See Table
9	vaporator Cover Panel	10448
10*	Hot Gas Valve Body	231294
11*	Hot Gas Valve Coil	201129
12	Suctin Line	for the spare parts code give us the s/n.

### Parts for Air Cooled Version Only

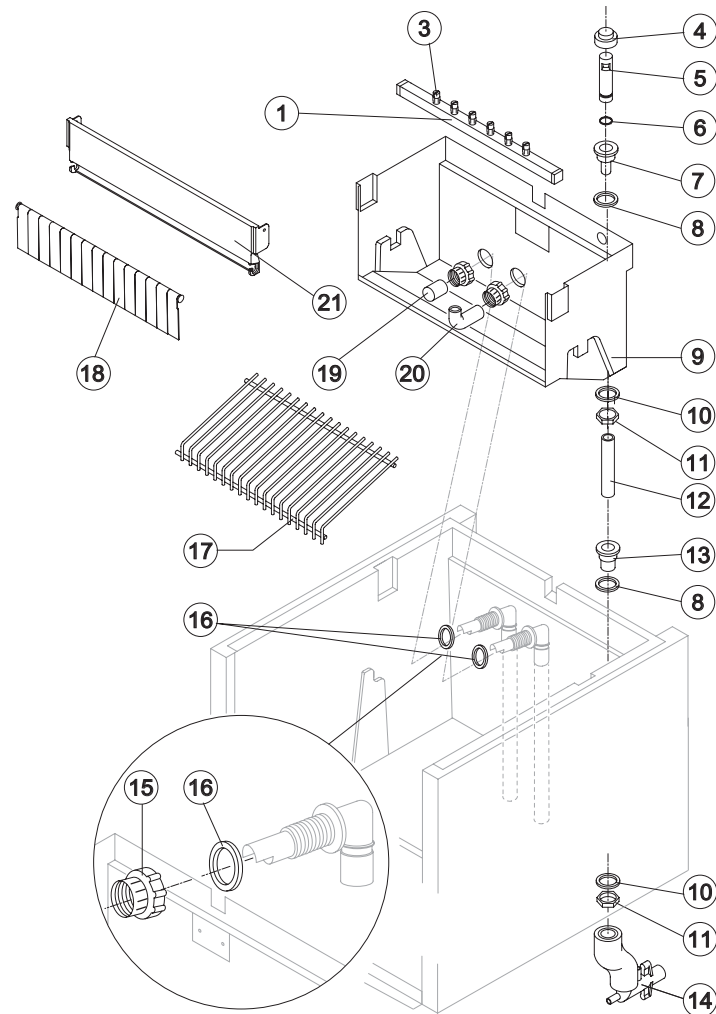
Ref.	Spare Description	Code
4	Air Condenser	Current Version 201223
4	Air Condenser	Till s/n. 874826 201146
5	Sucking Fan	20153

### Parts for Wayer Cooled Version Only

Ref.	Spare Description	Code
3	Water Condenser	14374

### Ref. 7 - Evaporator

Kind of Cube	Code
18 g. (Standard)	D10047
33 g.	D10090
13 g.	D10418
42 g.	D10480



Ref.	Spare Description	Code
1*	Sprayers Bar Assembly	See Table
3	Sprayer	D20002
4*	Overflow Cap	10305
5*	Overflow Pipe	10133
6*	OR Gasket for Overflow Pipe	20233
7	Overflow pipe nipple	10471
8	Silicone Gasket	13219
9	Inner Basin	10034
10	Semirigid Polyethylene Gasket	13007
11	Bin Discharge Nut	10096
12*	Overflow Pipe	13110
13	Water Outlet Nipple	10472
15	Fittings Locking Ring	10405
16	Gasket for Pump Suction/Delivery Pipes	13220
17	Ice Cubes Slide	See Table
18	Rod with Flags	10775
19*	Pump Suction Filter	20005
20	Sprayers Feeding Pipe	13005
21	Flags ABS Support	10760

### Ref. 1\* - Sprayers Bar Ass.

Kind of Cube	Code
18 g. (Standard)	C20058
33 g.	C20156
13 g.	C20190
42 g.	C20802

### Ref. 17 - Ice Cubes Slide

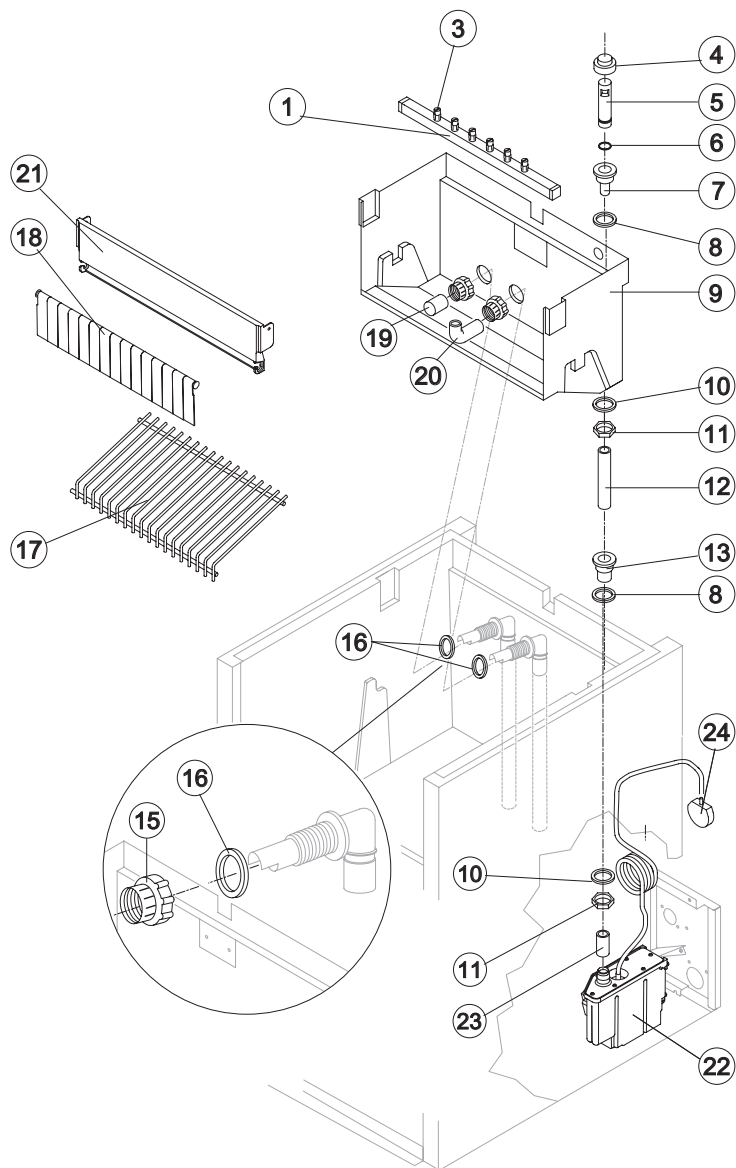
Kind of Cube	Code
18 g. (Standard)	D12017
33 g.	D12031
13 g.	D12039
42 g.	D12071

### Parts for Air Cooled Version Only

Ref.	Spare Description	Code
14	Discharges Manifold	C10006

### Parts for Water Cooled Version Only

Ref.	Spare Description	Code
14	Discharges Manifold	C26452



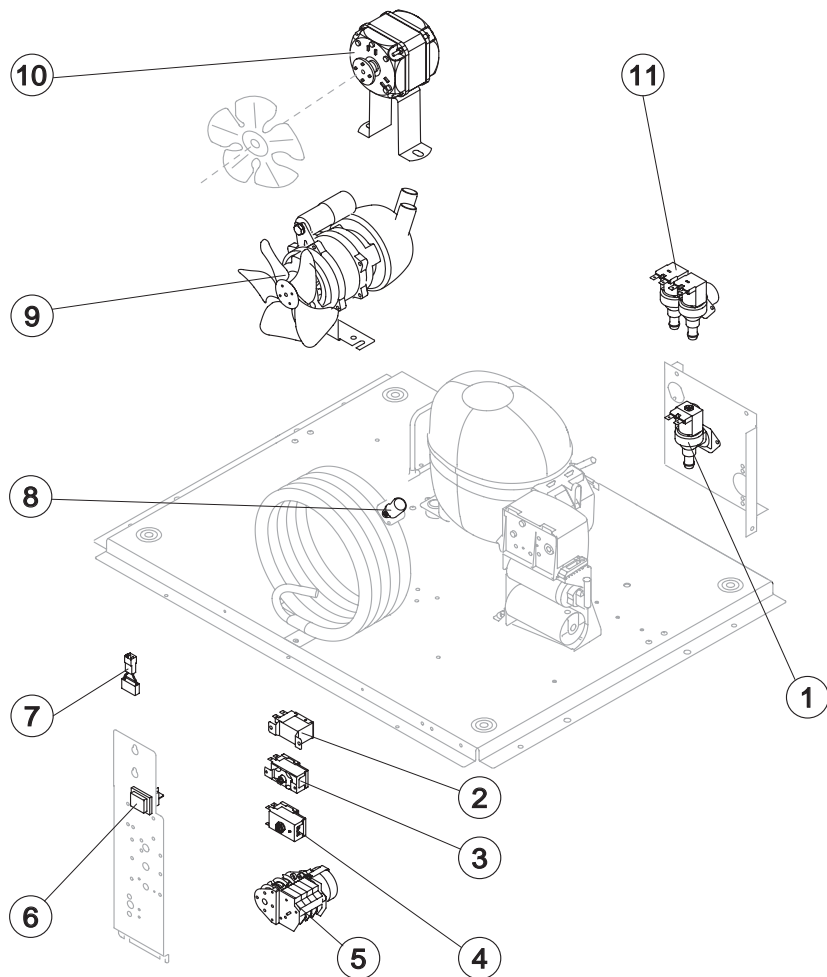
Rif.	Descrizione Ricambio	Codice
1*	Sprayers Bar Assembly	See Table
3	Sprayer	D20002
4*	Overflow Cap	10305
5*	Overflow Pipe	10133
6*	OR Gasket for Overflow Pipe	20233
7	Overflow pipe nipple	10471
8	Silicone Gasket	13219
9	Inner Basin	10034
10	Semirigid Polyethylene Gasket	13007
11	Bin Discharge Nut	10096
12*	Overflow Pipe	13110
13	Water Outlet Nipple	10472
14	Discharges Manifold	C10006
15	Fittings Locking Ring	10405
16	Gasket for Pump Suction/Delivery Pipes	13220
17	Ice Cubes Slide	See Table
18	Rod with Flags	10775
19*	Pump Suction Filter	20005
20	Sprayers Feeding Pipe	13005
21	Flags ABS Support	10760
22	Drain Pump	RC231225
23	Bin Discharge-Drain Pump Connection	C13175190
24	Drain Pump Pressure Switch	C231230

### Ref. 1\* - Sprayers Bar Ass.

Kind of Cube	Code
18 g. (Standard)	C20058
13 g.	C20190

### Ref. 17 - Ices Cube Slide

Kind of Cube	Code
18 g. (Standard)	D12017
13 g.	D12039



### Common Parts

Ref.	Spare Description	Code
2*	Fan cycle switch	231123
3*	Bin Thermostat	R23005
4*	Evaporator Thermostat	R23591
5*	Timer	See Table
6*	Green Light Switch (On-Off)	23327
9*	Pump Assy	RC23377

### Parts for Air Cooled Version Only

Ref.	Spare Description	Code
1*	1 Way- Water Inlet Valve	23115
7	Anti Radio Interference Filter	C23459
10*	Fan Motor	23067

### Parts for Wayer Cooled Version Only

Ref.	Spare Description	Code
7	Anti Radio Interference Filter	C23457
8*	Safety Thermostat	C23114
11*	2 Ways Water Inlet Valve	23010

### Ref. 1\* - 1 Way- Water Ilet Valve

Voltage	Cube 18g/13g	Cube 33g	Cube 42g
220-240V ~ 50Hz	23115	23001	23001

### Ref. 5\* - Timer

Voltage	Cube 18g	Cube 33g	Cube 13g	Cube 42g
220-240V ~ 50Hz	23222	23248	23247	23780