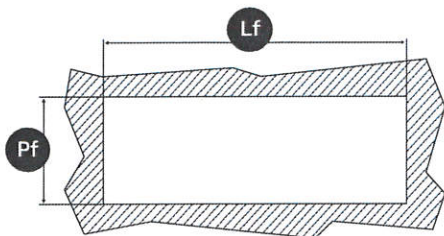


Holes arrangement on working tops and counters for built-in elements

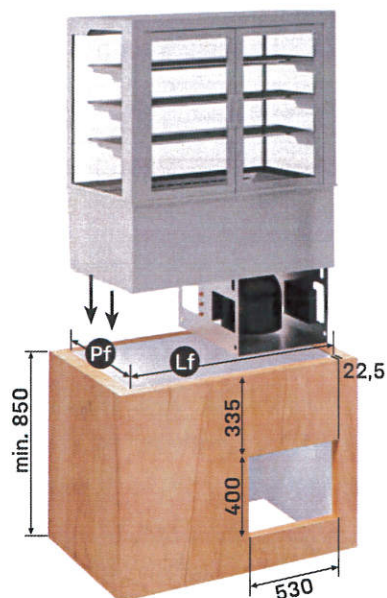
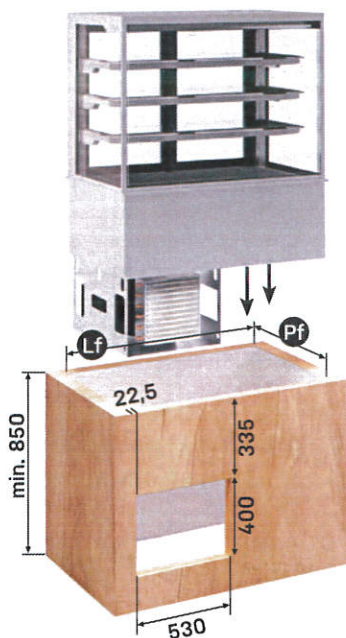


Gastronorm	2 GN1/1	3 GN1/1	4 GN1/1
Lf [mm]	765 (max 770)	1090 (max 1095)	1420 (max 1425)
Pf [mm]	675 (max 680)	675 (max 680)	675 (max 680)

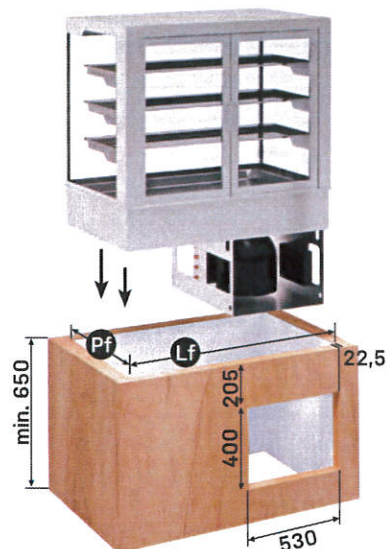
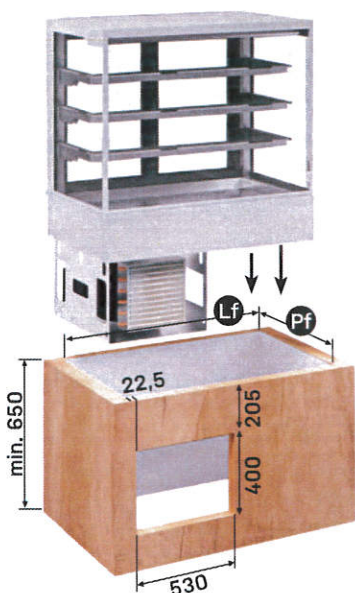
customer side view

operator side view

Holes arrangement on counters for built-in elements on **tank** with condensing unit



Holes arrangement on counters for built-in elements on **top** with condensing unit



NB: dimensions in millimeters